

CX490D
CX500D
Crawler Excavator

SERVICE MANUAL

Part number 47937806

English

December 2015

© 2015 CNH Industrial Italia S.p.A. All Rights Reserved.

CASE
CONSTRUCTION



SERVICE MANUAL

CX490D Crawler excavators LC version (TIER4 FINAL) - MEA Market
CX500D Crawler excavators LC Mass excavator version (TIER4 FINAL) -
MEA Market

Contents

INTRODUCTION

| | |
|---|-------|
| Engine..... | 10 |
| [10.001] Engine and crankcase | 10.1 |
| [10.102] Pan and covers | 10.2 |
| [10.106] Valve drive and gears | 10.3 |
| [10.101] Cylinder heads | 10.4 |
| [10.105] Connecting rods and pistons..... | 10.5 |
| [10.103] Crankshaft and flywheel..... | 10.6 |
| [10.216] Fuel tanks | 10.7 |
| [10.206] Fuel filters | 10.8 |
| [10.218] Fuel injection system..... | 10.9 |
| [10.202] Air cleaners and lines | 10.10 |
| [10.250] Turbocharger and lines..... | 10.11 |
| [10.254] Intake and exhaust manifolds and muffler | 10.12 |
| [10.500] Selective Catalytic Reduction (SCR) exhaust treatment..... | 10.13 |
| [10.501] Exhaust Gas Recirculation (EGR) exhaust treatment..... | 10.14 |
| [10.400] Engine cooling system | 10.15 |
| [10.414] Fan and drive | 10.16 |
| [10.310] Aftercooler..... | 10.17 |
| [10.304] Engine lubrication system..... | 10.18 |
| Hydraulic systems..... | 35 |
| [35.000] Hydraulic systems..... | 35.1 |
| [35.300] Reservoir, cooler, and filters..... | 35.2 |
| [35.104] Fixed displacement pump..... | 35.3 |
| [35.106] Variable displacement pump | 35.4 |
| [35.102] Pump control valves..... | 35.5 |
| [35.359] Main control valve..... | 35.6 |

| | |
|---|-----------|
| [35.357] Pilot system | 35.7 |
| [35.355] Hydraulic hand control | 35.8 |
| [35.356] Hydraulic foot control..... | 35.9 |
| [35.352] Hydraulic swing system | 35.10 |
| [35.353] Hydraulic travel system | 35.11 |
| [35.354] Hydraulic central joint | 35.12 |
| [35.736] Boom hydraulic system | 35.13 |
| [35.737] Dipper hydraulic system..... | 35.14 |
| [35.738] Excavator and backhoe bucket hydraulic system..... | 35.15 |
| [35.360] Hammer and rotating bucket hydraulic system | 35.16 |
| [35.820] Hydraulic driven cooling fans | 35.17 |
| Frames and ballasting | 39 |
| [39.140] Ballasts and supports | 39.1 |
| Tracks and track suspension..... | 48 |
| [48.130] Track frame and driving wheels..... | 48.1 |
| [48.100] Tracks | 48.2 |
| [48.134] Track tension units | 48.3 |
| [48.138] Track rollers | 48.4 |
| Cab climate control | 50 |
| [50.100] Heating | 50.1 |
| [50.200] Air conditioning..... | 50.2 |
| Electrical systems | 55 |
| [55.000] Electrical system | 55.1 |
| [55.100] Harnesses and connectors..... | 55.2 |
| [55.525] Cab engine controls..... | 55.3 |
| [55.015] Engine control system..... | 55.4 |
| [55.201] Engine starting system | 55.5 |
| [55.301] Alternator..... | 55.6 |

**Thanks very much for your reading,
Want to get more information,
Please click here, Then get the complete
manual**

JustClickHere 

NOTE:

**If there is no response to click on the link above,
please download the PDF document first, and then
click on it.**

**Have any questions please write to me:
admin@servicemanualperfect.com**

| | |
|--|-----------|
| [55.302] Battery..... | 55.7 |
| [55.202] Cold start aid | 55.8 |
| [55.011] Fuel tank system | 55.9 |
| [55.010] Fuel injection system..... | 55.10 |
| [55.014] Engine intake and exhaust system..... | 55.11 |
| [55.988] Selective Catalytic Reduction (SCR) electrical system | 55.12 |
| [55.989] Exhaust Gas Recirculation (EGR) electrical system | 55.13 |
| [55.012] Engine cooling system | 55.14 |
| [55.013] Engine oil system | 55.15 |
| [55.640] Electronic modules..... | 55.16 |
| [55.512] Cab controls..... | 55.17 |
| [55.036] Hydraulic system control | 55.18 |
| [55.051] Cab Heating, Ventilation, and Air-Conditioning (HVAC) controls..... | 55.19 |
| [55.050] Heating, Ventilation, and Air-Conditioning (HVAC) control system..... | 55.20 |
| [55.524] Cab controls (Lift arm, Boom, Dipper, Bucket)..... | 55.21 |
| [55.416] Swing control system | 55.22 |
| [55.417] Travel control system | 55.23 |
| [55.530] Camera..... | 55.24 |
| [55.518] Wiper and washer system..... | 55.25 |
| [55.404] External lighting | 55.26 |
| [55.514] Cab lighting | 55.27 |
| [55.408] Warning indicators, alarms, and instruments | 55.28 |
| [55.992] Anti-theft system | 55.29 |
| [55.DTC] FAULT CODES..... | 55.30 |
| Booms, dippers, and buckets | 84 |
| [84.910] Boom..... | 84.1 |
| [84.912] Dipper arm | 84.2 |
| [84.100] Bucket..... | 84.3 |

| | |
|---|------|
| Platform, cab, bodywork, and decals..... | 90 |
| [90.150] Cab..... | 90.1 |
| [90.156] Cab glazing | 90.2 |
| [90.118] Protections and footboards..... | 90.3 |
| [90.120] Mechanically-adjusted operator seat..... | 90.4 |
| [90.100] Engine hood and panels | 90.5 |



INTRODUCTION

Contents

INTRODUCTION

| | |
|---|----|
| Foreword - Important notice regarding equipment servicing | 3 |
| Safety rules | 4 |
| Safety rules – General information | 5 |
| Safety rules – Personal safety | 6 |
| Safety rules – ROPS judgment | 8 |
| Safety rules - Ecology and the environment | 14 |
| Torque – Bolt and nut | 15 |
| Torque - Special torque setting | 16 |
| Basic instructions - Shop and assembly | 20 |
| Hydraulic contamination | 22 |
| General specification (*) | 23 |
| General specification (*) | 27 |
| General specification - Main equipment | 31 |
| Weight | 44 |
| Dimension (*) | 46 |
| Dimension (*) | 48 |
| Conversion factors | 49 |
| Consumables | 61 |
| Capacities | 64 |
| Abbreviation | 65 |
| Product identification - Machine orientation | 68 |

(*) See content for specific models

Foreword - Important notice regarding equipment servicing

All repair and maintenance work listed in this manual must be carried out only by qualified dealership personnel, strictly complying with the instructions given, and using, whenever possible, the special tools.

Anyone who performs repair and maintenance operations without complying with the procedures provided herein shall be responsible for any subsequent damages.

The manufacturer and all the organizations of its distribution chain, including - without limitation - national, regional, or local dealers, reject any responsibility for damages caused by parts and/or components not approved by the manufacturer, including those used for the servicing or repair of the product manufactured or marketed by the manufacturer. In any case, no warranty is given or attributed on the product manufactured or marketed by the manufacturer in case of damages caused by parts and/or components not approved by the manufacturer.

The manufacturer reserves the right to make improvements in design and changes in specifications at any time without notice and without incurring any obligation to install them on units previously sold. Specifications, descriptions, and illustrative material herein are as accurate as known at time of publication but are subject to change without notice.

In case of questions, refer to your CASE CONSTRUCTION Sales and Service Networks.

Safety rules


Personal safety





This is the safety alert symbol. It is used to alert you to potential personal injury hazards. Obey all safety messages that follow this symbol to avoid possible death or injury.

Throughout this manual you will find the signal words DANGER, WARNING, and CAUTION followed by special instructions. These precautions are intended for the personal safety of you and those working with you.

Read and understand all the safety messages in this manual before you operate or service the machine.

 DANGER indicates a hazardous situation that, if not avoided, will result in death or serious injury.

 WARNING indicates a hazardous situation that, if not avoided, could result in death or serious injury.

 CAUTION indicates a hazardous situation that, if not avoided, could result in minor or moderate injury.

FAILURE TO FOLLOW DANGER, WARNING, AND CAUTION MESSAGES COULD RESULT IN DEATH OR SERIOUS INJURY.

Machine safety

NOTICE: Notice indicates a situation that, if not avoided, could result in machine or property damage.

Throughout this manual you will find the signal word Notice followed by special instructions to prevent machine or property damage. The word Notice is used to address practices not related to personal safety.

Information

NOTE: Note indicates additional information that clarifies steps, procedures, or other information in this manual.

Throughout this manual you will find the word Note followed by additional information about a step, procedure, or other information in the manual. The word Note is not intended to address personal safety or property damage.

Safety rules – General information

Cleaning

Clean the metal parts with cleaning solution that meets the standard and steam cleaning. (except for bearings)

After cleaning, dry well, and inject oil in all parts.

Also inject oil into the bearings after drying.

Inspection

When disassembling parts, check all the parts.

If there are any worn or damaged parts, replace them.

Inspect carefully to prevent initial breakdowns.

Bearing

Replace any loose bearings.

Air dry bearings before installing them.

Needle bearing

When inserting needle bearings, be very careful not to damage them.

Apply grease to the section where the needle bearing will be inserted.

Gear

Check that there is no wear and no damage.

Oil seal, O-ring, gasket

Always install new oil seals, O-rings, and gaskets.

Apply grease to sections where oil seals and O-rings will be inserted.

Shaft

Check that there is no wear and no damage.

Check the bearings and check for damaged oil seals on the shaft.

Service parts

Install CASE CONSTRUCTION genuine service parts.

When placing an order, check the parts catalog. It contains the CASE CONSTRUCTION genuine part numbers.

Any breakdowns arising from the installation of non-genuine parts are not covered by the warranty.

Lubricants (fuel, hydraulic oil)

Use the oil from the specified company or specified in the operator's manual or service Manual.

Any breakdowns arising from any fuel or hydraulic oil other than those specified are not covered by the warranty.

Safety rules – Personal safety

 **WARNING:**

This symbol indicates a precaution.
It gives information concerning the safety of the operator and those in the surroundings.
Read and understand these precautions thoroughly before performing the work.

Always comply with warnings and precautions so as to avoid any accidents.

This section covers information related to overall safety.

Check whether all warning labels are in place.

Additional labels can be ordered from Service Parts.

 **WARNING:**

Read the operator's manual to gain a thorough understanding of machine control operations.

 **WARNING:**

Perform any machine operations from the seating position.
Any other method may cause severe injuries.

 **WARNING:**

Only the one operator is to ride on the machine. No one else is to ride on it.

 **WARNING:**

Check the safety messages in the operator's manual before starting the engine.
Check all the warning labels on the machine.
Check that no one is within the machine's operating range.
Check the operating methods in a safe location before starting the actual work.
Understand the machine operations well, then operate in compliance with all service-related laws and regulations.
The operator's manual can be purchased at your CASE CONSTRUCTION dealer.

 **WARNING:**

Working with sloppy clothes or clothes with which safety cannot be ensured leads to damage to the machine and injury to the operator.
Always wear clothes that ensures safety.
In order to work more safely, it is recommended to wear additional safety equipment.
Helmet, safety shoes, ear protection, goggles, work clothes, and gloves

 **WARNING:**

Pay careful attention when working with the engine running.

 **WARNING:**

Check hydraulic equipment.
Work according to the procedure.
Do not change the procedure.

INTRODUCTION

 WARNING:

Check that there is no one in the surroundings before draining the pressure from hydraulic circuits during machine hydraulic cylinder inspection.

 WARNING:

Use gloves when handling high-temperature parts.

 WARNING:

Bring the lower parts or attachments in contact with the ground before inspecting or repairing them.

 WARNING:

Check that hoses and tubes are securely connected.
If there is any damage to a hose or tube, replace it.
Do not check for oil leaks by hand. Use cardboard or wood.

 WARNING:

When removing an attachment pin or other hardened pin, use a hammer that has a soft head.

 WARNING:

Wear eye protection when using a hammer to install a pin or when working with a grinder.
At this time, use goggles or eye protectors that meet standards.

 WARNING:

Park the machine in a safe location when repairing or inspecting it.

 WARNING:

Use work site protection when repairing the machine.
Check the oil, coolant, grease, and tools.
Recover materials and parts as necessary.
Pay enough attention to safety.

 WARNING:

Some of the machine's parts are extremely heavy.
Use an appropriate lifting equipment for such parts.
For weights and procedures, see the Service Manual.

 WARNING:

Exhaust gases are toxic.
Always provide good ventilation when working indoors or in any other enclosed space.

 WARNING:

If the electrolytic battery solution freezes, it may explode.

Safety rules – ROPS judgment

1. Purpose

Judge whether or not the model is compliant with ROPS by the ROPS criteria.

Compliance with ROPS is highly dependent on its deadweight and boom.

The model has passed the ROPS test for its deadweight with all selectable options installed (as of 2014).

However, the judgment is required because its deadweight or boom position may go beyond the assumption depending on derivative or order conditions.

2. ROPS criteria

Weight

For each class, the following weight shall not be exceeded.

If the weight is exceeded, a cab may become damaged in case of a rollover, causing the operator to die or become severely disabled.

It is not applicable beyond the criterion.

The ROPS-compliant model shall not exceed the weight shown in the table.

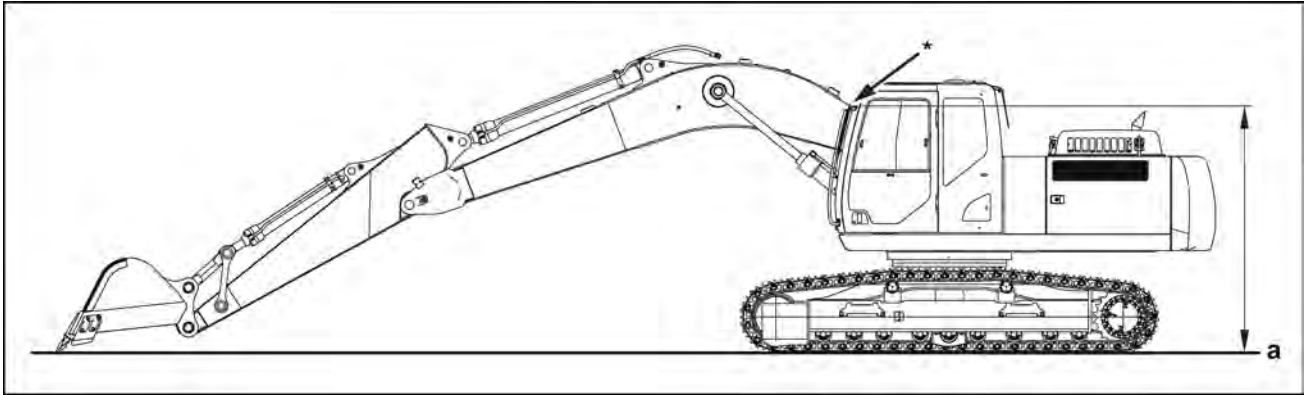
(The following weight is shown on the decal in the ROPS cab.)

| Gross body weight | Class |
|--|--------|
| 20500 kg (45194.76 lb) or less | CX130D |
| | CX160D |
| | CX180D |
| 32000 kg (70547.92 lb) or less | CX210D |
| | CX230D |
| | CX250D |
| | CX300D |
| 40000 kg (88184.90 lb) or less | CX350D |
| | CX370D |
| 50000 kg (110231.13 lb) or less | CX490D |
| | CX500D |

Boom position

Warning

- If you make such modification as lowers the boom position, ROPS is not applicable.
- Consultation with us is required whenever it is assumed that the boom position is lowered by modification.
- The range of change in the boom position cannot be determined uniformly.



SMIL14CEX2001EA 1

(a) Ground point

It is not applicable if the position overlapping with a cab on the side view (mark * in the figure) is lowered significantly as compared with the standard model (standard arm), within the maximum digging radius with the bucket tip on the surface of the ground.

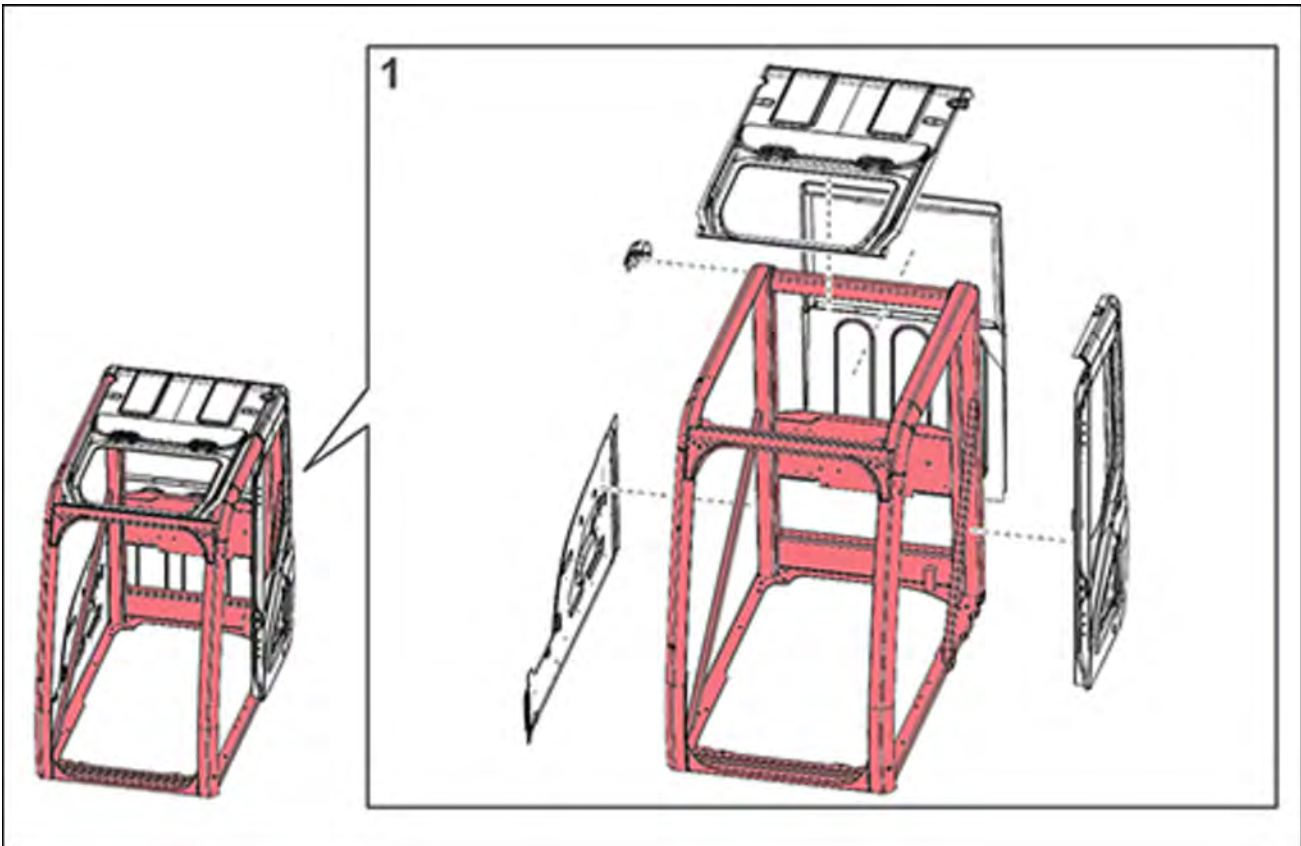
Moreover, it cannot be said that the 24-ton model, close to the limit weight, with a cab that can bear up to 31-tons and the 21-ton model with the same cab are the same in the degree of influence.

3. Prohibitions

- Such modification as reduces the strength of the platform where the ROPS cab is installed. (Such action or modification as reduces the function of the retaining anchor in the left rear of the cab)
- Such modification as affects the ROPS strength of the ROPS cab.

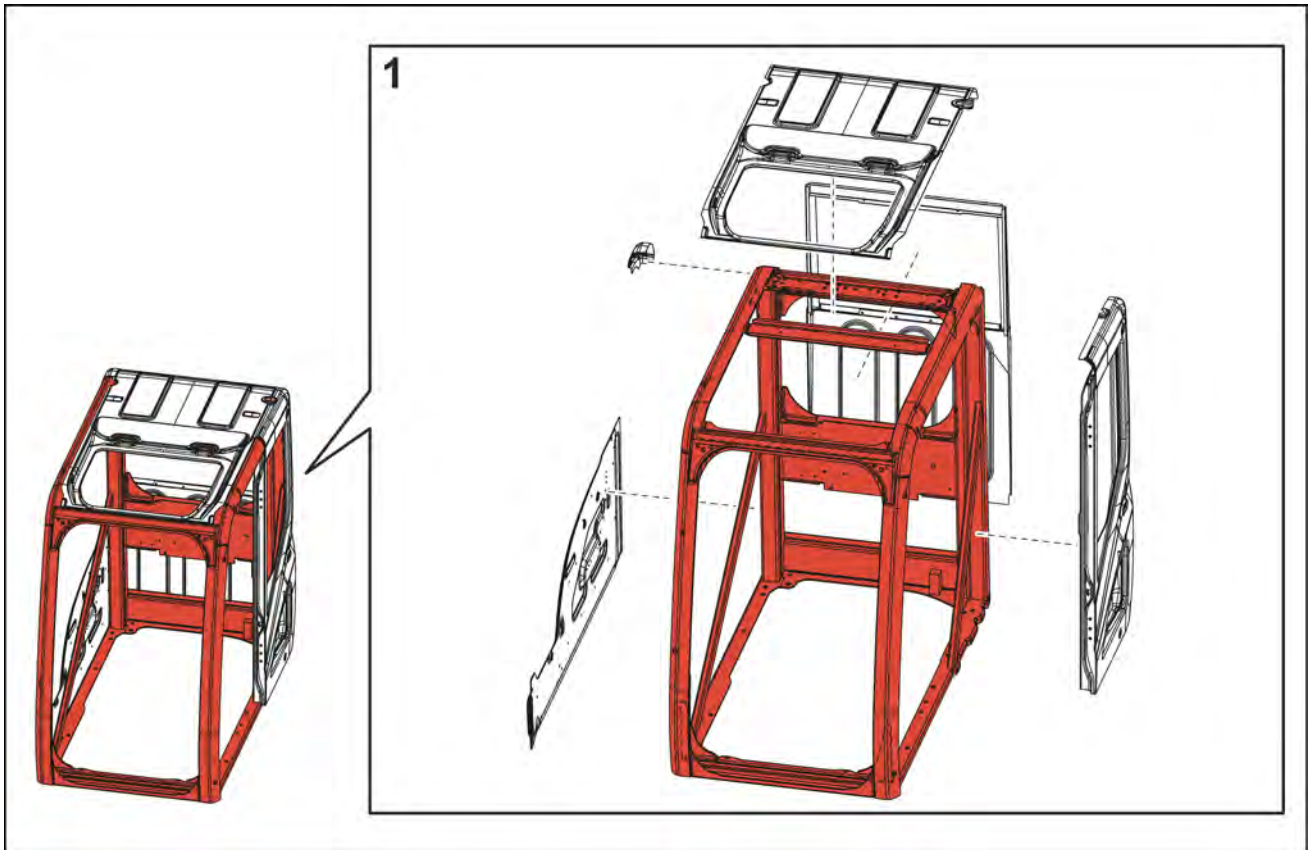
| | |
|--|---|
| Modification prohibited (Red components) | All changes (grinding, welding, drilling, removal, etc.) are prohibited. |
| Conditional modification permitted (Gray components) | Removal of components is prohibited. Welding and drilling of bars (limited to 20 mm (0.79 in) or less in diameter) are allowed. |

Cab (CX130D/CX160D/CX180D)



SMPH15CEX5805FA 2

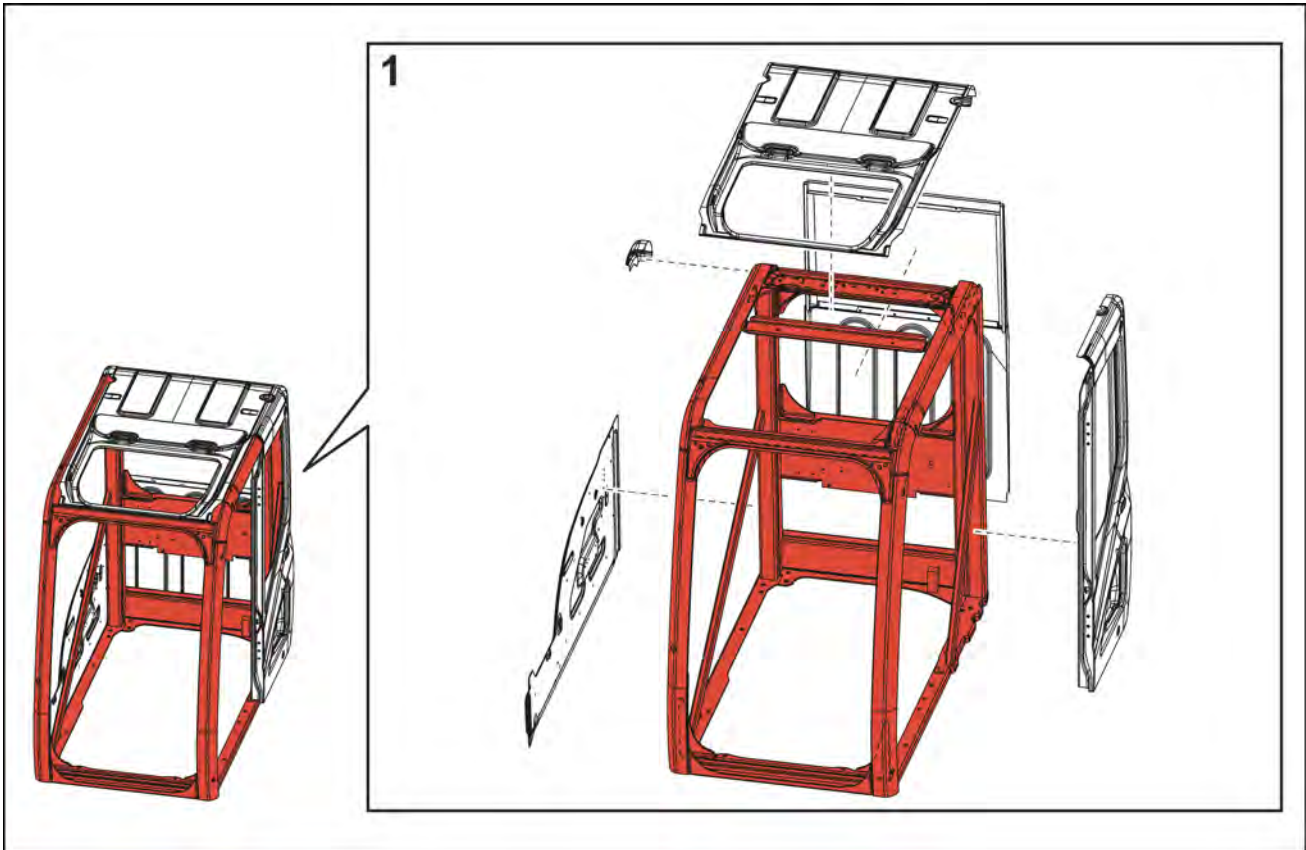
Cab (CX210D/CX230D/CX250D/CX300D)



SMIL14CEX2002FA 3

Cab (CX350D/CX370D)

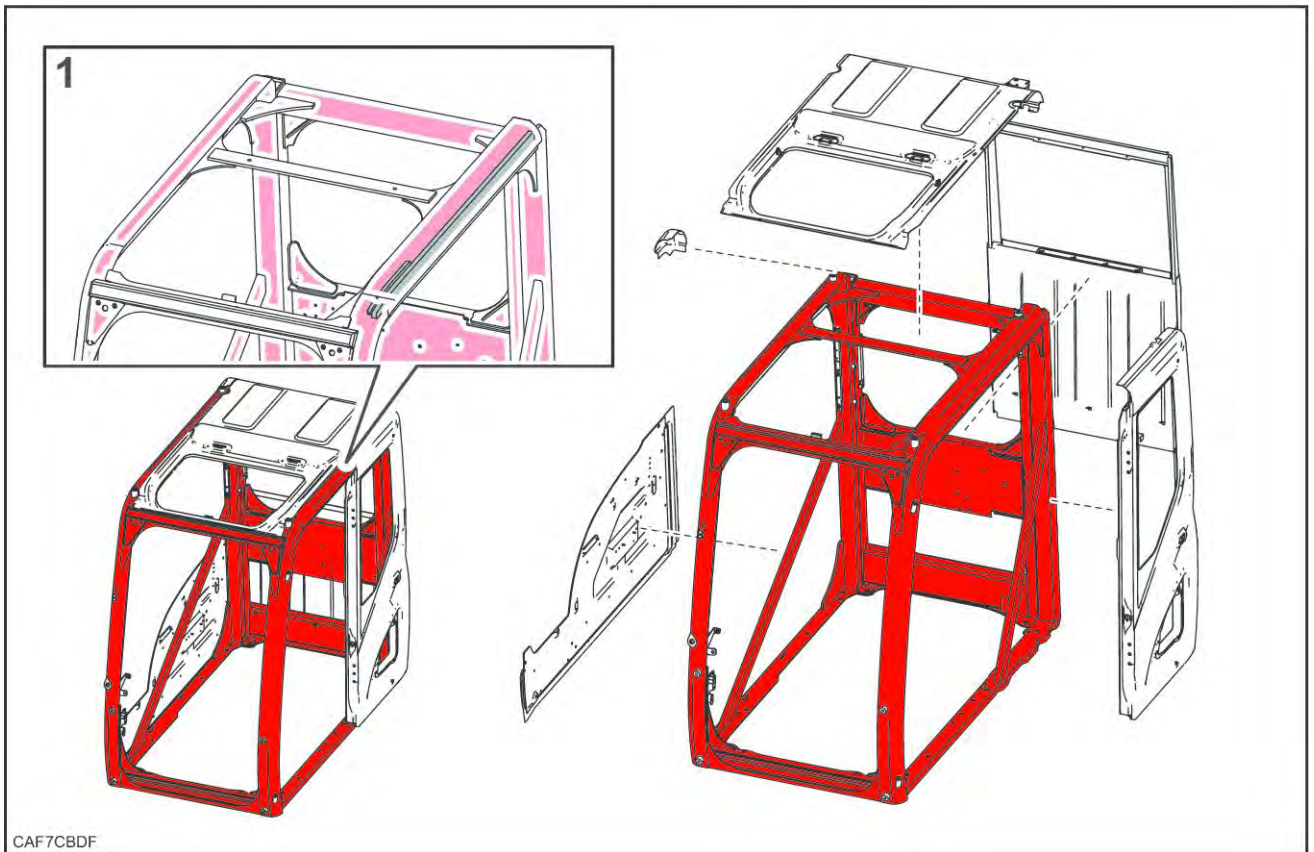
The large-sized model (CX350D/CX370D) cab consists of the medium-sized model (CX210D/CX230D/CX250D/CX300D) cab in the figure plus seven reinforcements.



SMIL14CEX2003FA 4

Cab (CX490D/CX500D)

The irregularly shaped steel line also contains reinforcements.



CAF7CBDF 5

The high cab is not supported basically. (Since it varies for each model, consultation with us is required in each case.)

Safety rules - Ecology and the environment

Soil, air, and water quality is important for all industries and life in general. When legislation does not yet rule the treatment of some of the substances that advanced technology requires, sound judgment should govern the use and disposal of products of a chemical and petrochemical nature.

Familiarize yourself with the relative legislation applicable to your country, and make sure that you understand this legislation. Where no legislation exists, obtain information from suppliers of oils, filters, batteries, fuels, anti-freeze, cleaning agents, etc., with regard to the effect of these substances on man and nature and how to safely store, use, and dispose of these substances.

Helpful hints

- Avoid the use of cans or other inappropriate pressurized fuel delivery systems to fill tanks. Such delivery systems may cause considerable spillage.
- In general, avoid skin contact with all fuels, oils, acids, solvents, etc. Most of these products contain substances that may be harmful to your health.
- Modern oils contain additives. Do not burn contaminated fuels and or waste oils in ordinary heating systems.
- Avoid spillage when you drain fluids such as used engine coolant mixtures, engine oil, hydraulic fluid, brake fluid, etc. Do not mix drained brake fluids or fuels with lubricants. Store all drained fluids safely until you can dispose of the fluids in a proper way that complies with all local legislation and available resources.
- Do not allow coolant mixtures to get into the soil. Collect and dispose of coolant mixtures properly.
- The air-conditioning system contains gases that should not be released into the atmosphere. Consult an air-conditioning specialist or use a special extractor to recharge the system properly.
- Repair any leaks or defects in the engine cooling system or hydraulic system immediately.
- Do not increase the pressure in a pressurized circuit as this may lead to a component failure.
- Protect hoses during welding. Penetrating weld splatter may burn a hole or weaken hoses, allowing the loss of oils, coolant, etc.

Battery recycling

Batteries and electric accumulators contain several substances that can have a harmful effect on the environment if the batteries are not properly recycled after use. Improper disposal of batteries can contaminate the soil, groundwater, and waterways. CASE CONSTRUCTION strongly recommends that you return all used batteries to a CASE CONSTRUCTION dealer, who will dispose of the used batteries or recycle the used batteries properly. In some countries, this is a legal requirement.



Mandatory battery recycling

NOTE: *The following requirements are mandatory in Brazil.*

Batteries are made of lead plates and a sulfuric acid solution. Because batteries contain heavy metals such as lead, CONAMA Resolution 401/2008 requires you to return all used batteries to the battery dealer when you replace any batteries. Do not dispose of batteries in your household garbage.

Points of sale are obliged to:

- Accept the return of your used batteries
- Store the returned batteries in a suitable location
- Send the returned batteries to the battery manufacturer for recycling